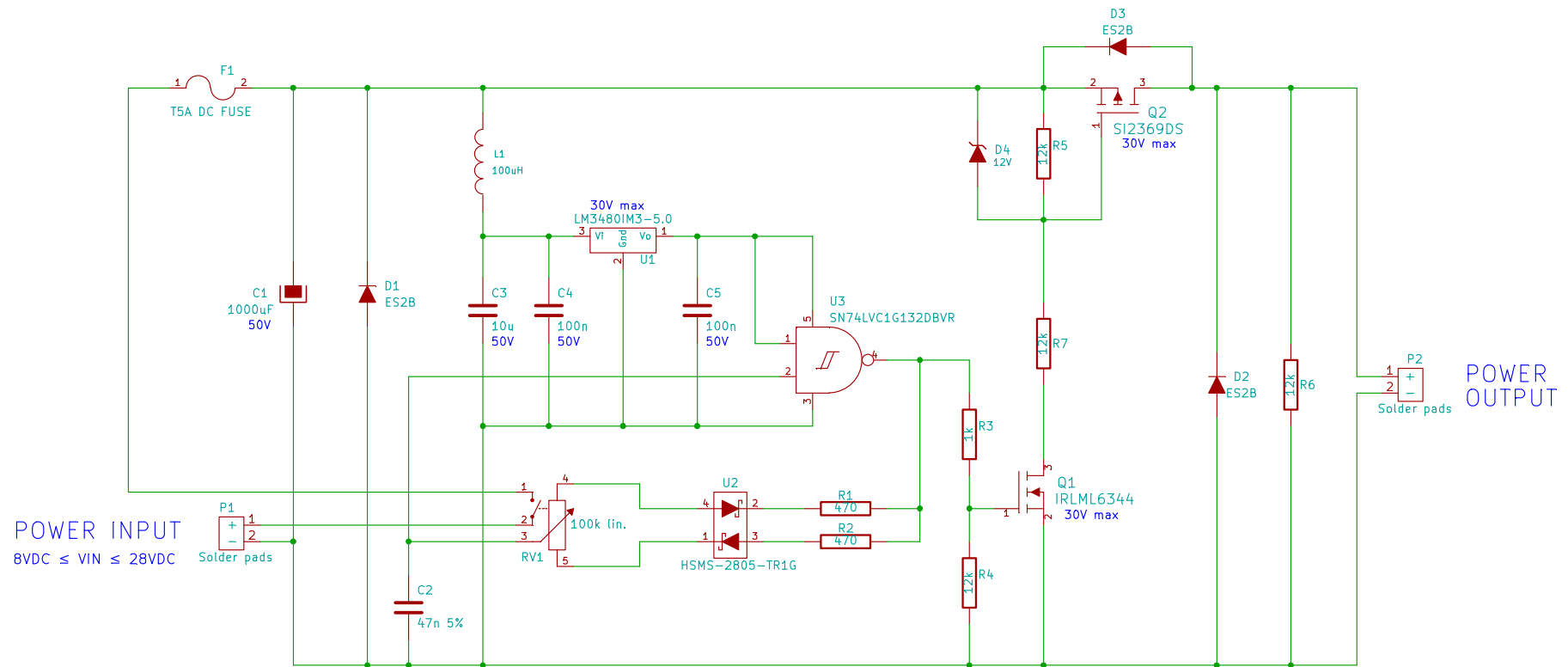


Manual variable 12VDC to 24VDC P-channel 5A PWM driver



All resistors are 1% 100mW min. otherwise indicated

Joël Huser Électronique, jhe@joelhuserelectronique.ch

File: DVPWM100.sch

Sheet: /

Title: Manual variable 12VDC 5A P-channel PWM driver

Size: A4 Date: 19 mar 2019

Rev: 1.0

KiCad E.D.A. eschema (2013-07-07 BZR 4022)-stable

Id: 1/1